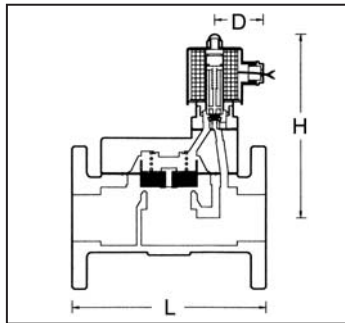


UWF . UWF-NO Series

UWF Series

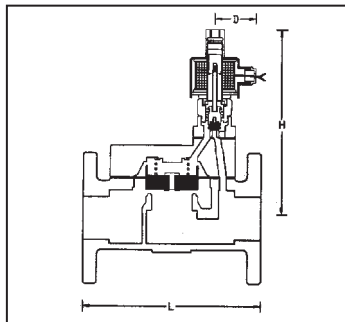


1. UWF series is multiplex-drive, diaphragm guide, conductive normal close.
2. Valve body made of FC-20.
3. Standard voltage : 110VAC / 220VAC / 24VDC
4. Other special AC/DC can be made to client's order.
5. Flange end: JIS 10K, ANSI 150 LB or PN-16
6. The standard product fluid temperature is 80°C(NBR).
7. AC Voltage tolerance: $\pm 10\%$.
DC Voltage tolerance: $\pm 1\%$.

MATERIAL	
PARTS	MATERIAL
Body	FC-20
Coil	Special Copper Wire (H)
Core	Stainless Steel
Tube	Stainless Steel
Spring	Stainless Steel
Plug	NBR
Diaphragm	NBR

DIN	MODEL	PIPE SIZE	Cv	ORIFICE	FLUID TEMP. °C	MAX. OPERATING PRESSURE DIFF. KG/CM ²			DIMENSION(mm)			WEIGHT (kg)
						AIR	WATER	LIGHT OIL	L	H	D	
	UW-35F	1 1/4"	22	35 mm	-5°C ~ 80°C	0.2-8	0.2-8		200	185	58	8.7
	UW-40F	1 1/2"	30	40 mm	-5°C ~ 80°C	0.2-8	0.2-8		200	185	58	8.8
	UW-50F	2"	40	50 mm	-5°C ~ 80°C	0.2-8	0.2-8		210	203	58	11.2
	UW-65F	2 1/2"	68	65 mm	-5°C ~ 80°C	0.2-8	0.2-8		240	198	58	15.2
	UW-80F	3"	102	80 mm	-5°C ~ 80°C	0.2-8	0.2-8		300	212	58	20.6
	UW-100F	4"	180	100 mm	-5°C ~ 80°C	0.2-8	0.2-8		340	228	58	31.5

UWF-NO Series



1. UWF-NO series is multiplex-drive, diaphragm guide, conductive normal open.
2. Valve body made of FC-20.
3. Standard voltage : 110VAC / 220VAC / 24VDC
4. Other special AC/DC can be made to client's order.
5. Flange end: JIS 10K, ANSI 150 LB or PN-16
6. The standard product fluid temperature is 80°C(NBR).
8. AC Voltage tolerance: $\pm 10\%$.
DC Voltage tolerance: $\pm 1\%$.

MATERIAL	
PARTS	MATERIAL
Body	FC-20
Coil	Special Copper Wire (H)
Core	Stainless Steel
Tube	Stainless Steel
Spring	Stainless Steel
Plug	NBR
Diaphragm	NBR

DIN	MODEL	PIPE SIZE	Cv	ORIFICE	FLUID TEMP. °C	MAX. OPERATING PRESSURE DIFF. KG/CM ²			DIMENSION(mm)			WEIGHT (kg)
						AIR	WATER	LIGHT OIL	L	H	D	
	UW-35F-NO	1 1/4"	22	35 mm	-5°C ~ 80°C	0.2-8	0.2-8		200	205	58	8.9
	UW-40F-NO	1 1/2"	30	40 mm	-5°C ~ 80°C	0.2-8	0.2-8		200	205	58	9.0
	UW-50F-NO	2"	40	50 mm	-5°C ~ 80°C	0.2-8	0.2-8		210	223	58	11.4
	UW-65F-NO	2 1/2"	68	65 mm	-5°C ~ 80°C	0.2-8	0.2-8		240	218	58	15.4
	UW-80F-NO	3"	102	80 mm	-5°C ~ 80°C	0.2-8	0.2-8		300	232	58	20.8
	UW-100F-NO	4"	180	100 mm	-5°C ~ 80°C	0.2-8	0.2-8		340	248	58	31.7

⚠ UWF.UWF-NO Not for Fluid Of : 1. Liquid Status When Heat , Solid Status When Cool. 2. Viscosity Over 20 cst. 3. Corrosive Fluid